

Pile Installation Problems Solved

Flexi-Pile Cap

It is sometimes necessary to mount OLE (overhead line electrification) structures on circular piles that have been damaged during installation, are out of alignment, have refused before reaching full depth, are in the wrong position or need to bridge existing services. The Flexi-Pile cap is a cut and drill solution with no need for hot works on site. A complete range of tabs and bridging beams to solve all installation problems.

Patent Granted: No. P002974GB01



FLI structures

sales@fli.co.uk

01452 722200

For Structures On 610mm Piles

Type One: 610 Pile
Flexi-Pile Cap for 4 x M36
on a 594 bolted base plate.
Part No OLE14- (Wt = 15.7kg)
Master Series: 315.90014

Type Two: 610 Pile
Flexi-Pile Cap for 6 x M30
on a 594 PCD bolted base plate.
Part No OLE12- (Wt = 15.9kg)
Master Series: 315.90015

Patent Granted: No. P002974GB01



FLI structures

sales@fli.co.uk

01452 722200

For Structures On 762mm Piles

Type Three: 762 Pile
Flexi-Pile Cap for 6 x M39
on a 746 PCD bolted base plate.
Part No OLE20 - (Wt = 27kg)
Master Series: 315.90013

Patent Granted: No. P002974GB01



FLI structures

sales@fli.co.uk

01452 722200

762 Pile Structures On 610 Piles

Type Four: 610 Pile
Flexi-Pile Cap for 6 x M39
on a 746 PCD bolted base plate.
For mounting a 762 pile compatible
structure onto a 610 pile.
Master Series: 315.90020

Patent Granted: No. P002974GB01



sales@fli.co.uk

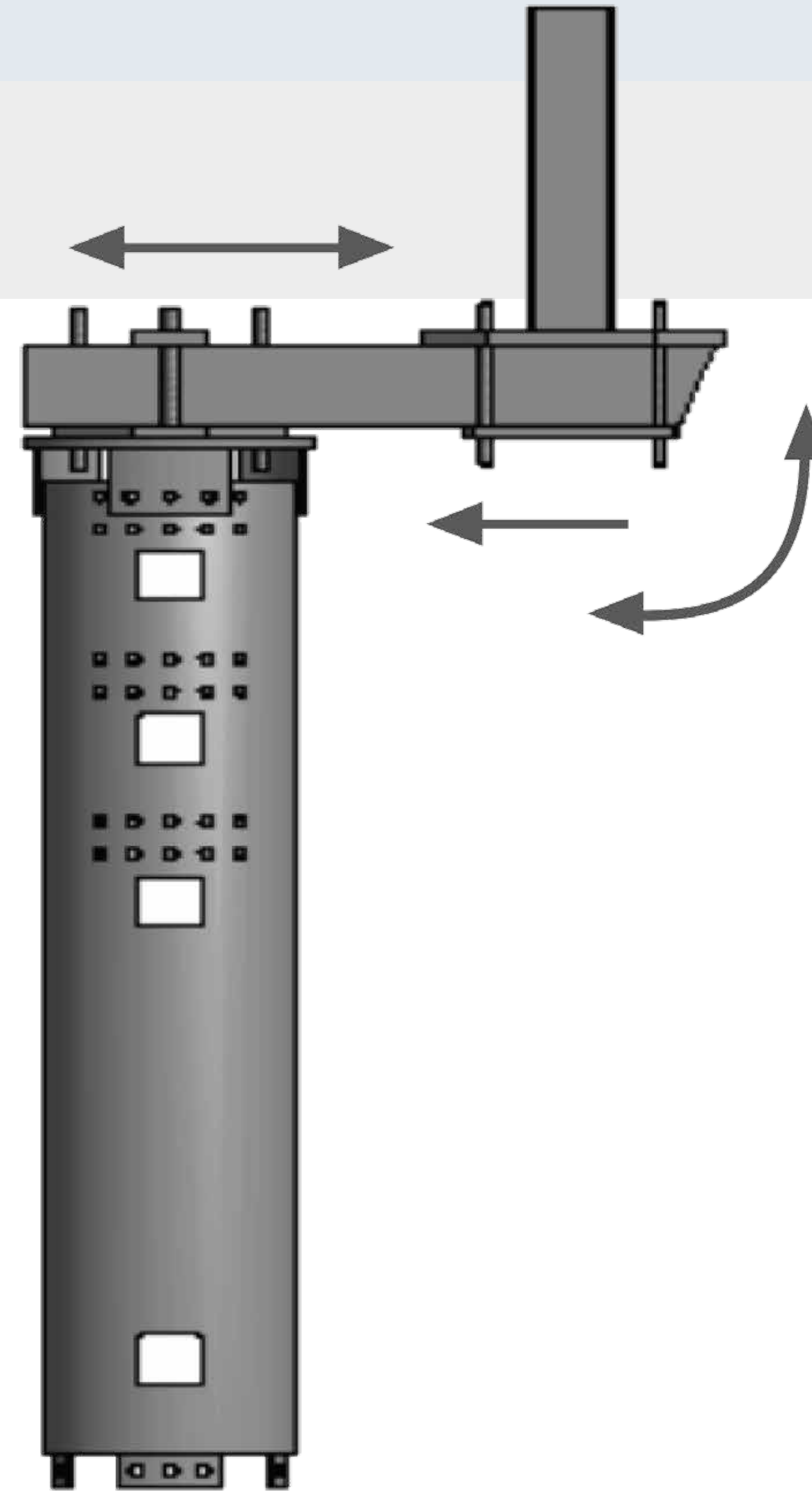
01452 722200

FLI structures

Bridging Services

Flexi-Adaptor Beam

A solution for piles that are out of alignment or when there is a need to bridge existing services.

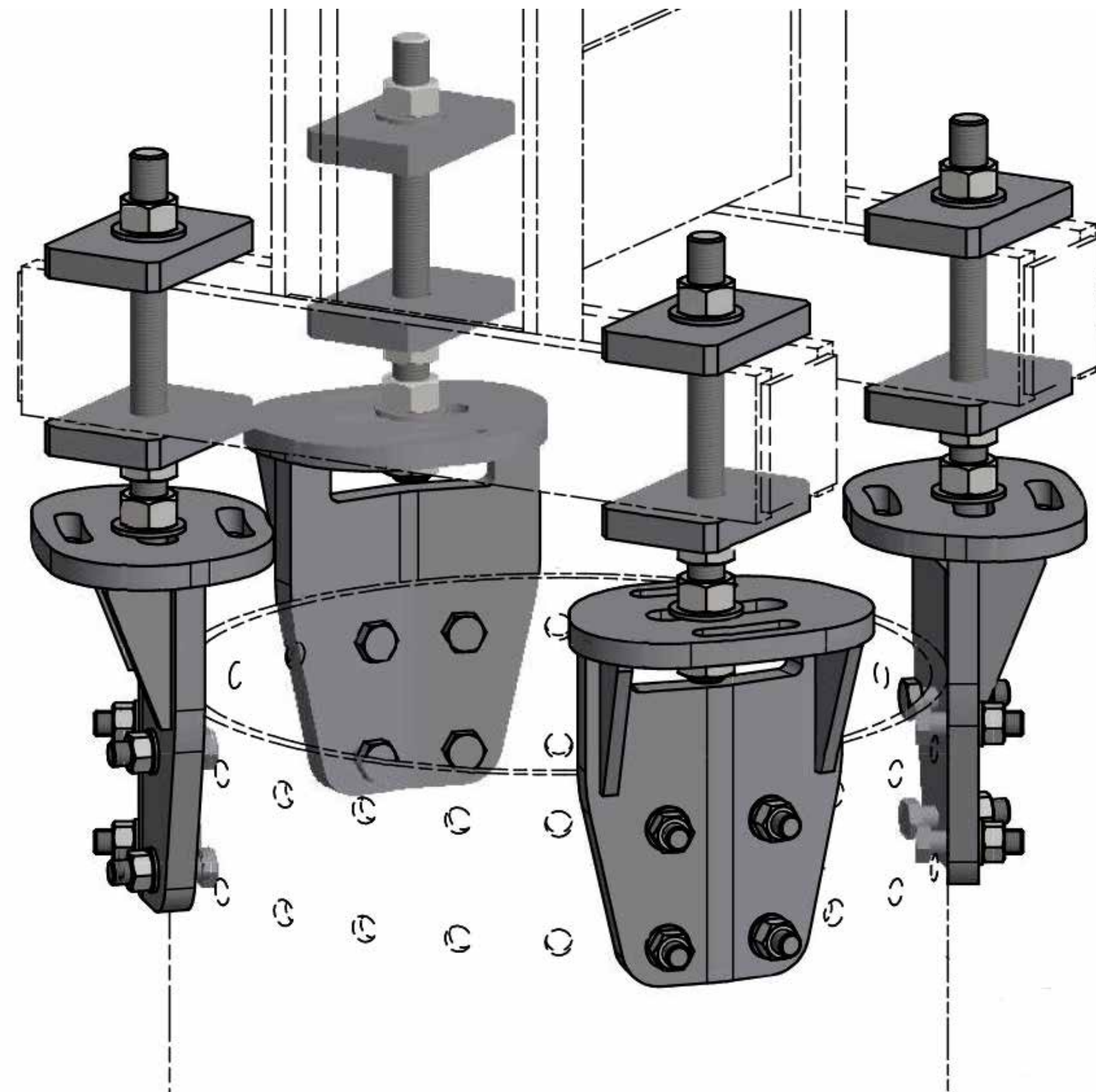


sales@fli.co.uk

01452 722200

FLI structures

Double Channel masts



Mount Double Channel Masts
Without Using An Adaptor Plate.

Type Five: 762 Pile
Flexi-Pile Cap for 4 x M36 x x514mm
bolt centres. Eliminates the need
for a 60mm thick adaptor plate with
double channel masts.

Flexi-Pile Cap UK Patent: No. P002974GB01

Fitting Flexi-Pile-Cap



Cut pile to Height.



Drill holes using a template.



Bolt on Flexi-Pile Cap tabs.



Land structure.

No hot works on site and hand carryable. Flexi- Pile Cap also allows for rotation and removes the need for an interface plate.